
安装指引手册 Installation Guidebook

机器人保护支架/绳的安装与使用指引 Guidelines for Installation and Use of Protective Brackets/ Ropes



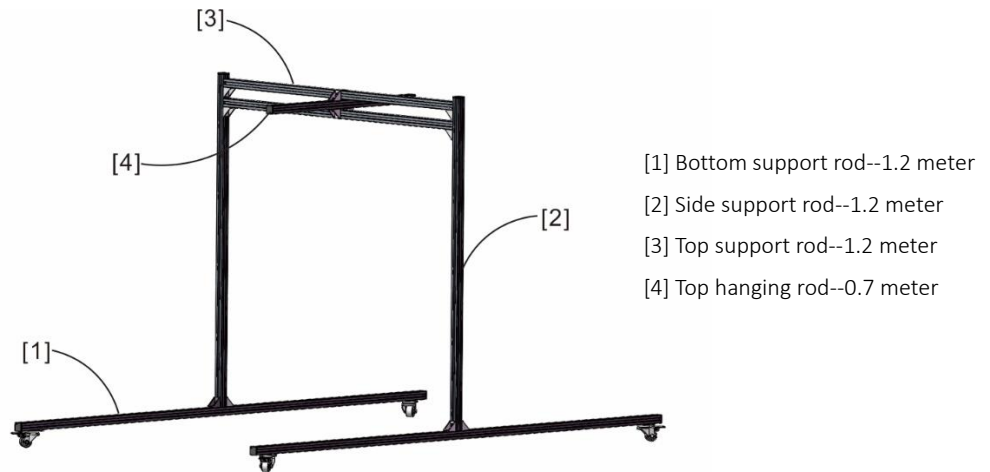
注意! Notice!

1. 在未按软件手册中的要求用保护绳和保护架保护机器人时, 请不要使用急停开关, 否则将造成机器人严重损坏。由该原因造成的损坏, 不在免费质保范围内。
1. When the protection rope and protective frame are not used to protect the robot according to the requirements of the software manual, please do not use the emergency stop switch, otherwise the robot will be seriously damaged. Damage caused by this reason is not covered by free warranty.
2. 收到机器人后, 请先安装保护架保护绳, 然后在使用机器人。
- 2 After receiving the goods, please install the protective rope first, and then use the robot.

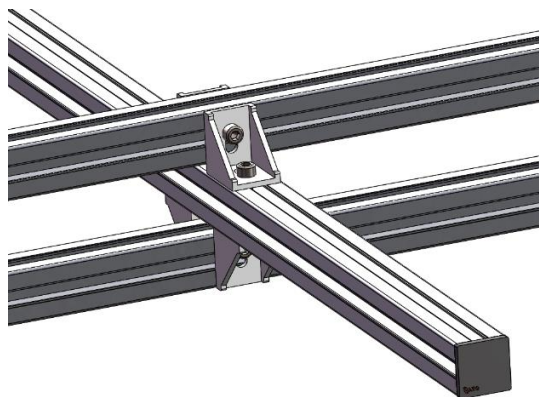


1. How to install protective bracket and rope.

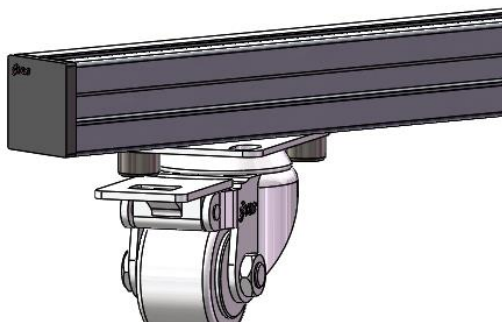
We also provide a bracket for developers to prevent from falling down accidentally when debugging and developing. The assembly diagram is as follows:



Connection diagram of the top hanging rod [4] and the top support rod [3]:



Schematic diagram of the wheel mounting of the bottom support rod:



Final effect diagram:

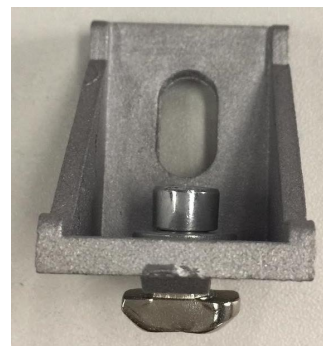
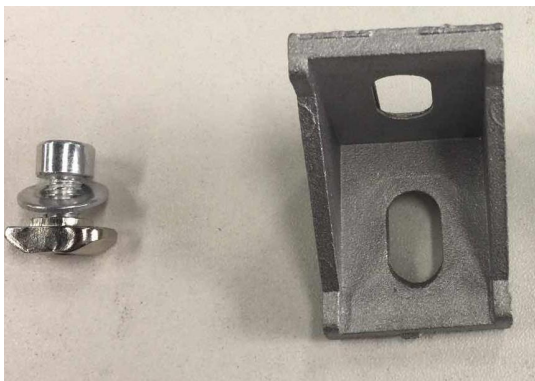


In addition to the bracket, 1 nylon rope will be used to suspend the robot.

Bracket mounting step:

1. Introduction to the fixed method

The screws, washers and nut sets are placed in the corresponding corner fixing holes. During the screwing process, the nuts will rotate together, and the locking will be fixed with the aluminum alloy bracket.



2. Install the wheel of the bottom support rod [1]

Secure the two holes on the diagonal of the wheel.

3. Install the left and right side support bars [2]

Fix the side support bar [2] to the bottom support bar [1]

4. Install top support bar [3] and top hanger [4]

Connect the brackets on both sides with the top support rod[3] and do not lock them first. After fixing the position of the top hanging rod [4], lock and fix [3] and [4].

5. Install the tether

Install the long tether (with a buckle)

